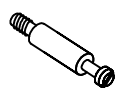





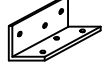


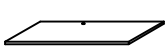

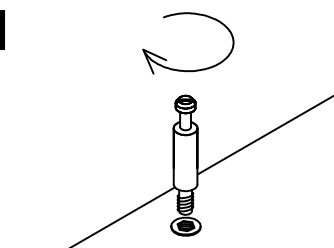
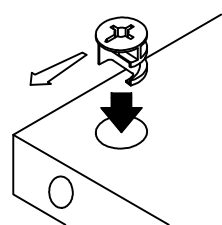
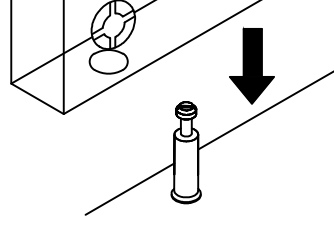
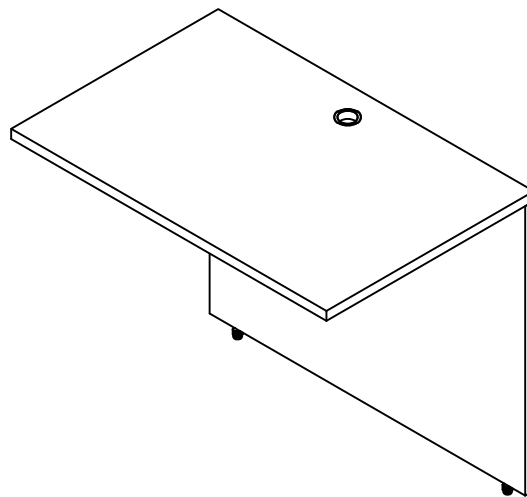


Please follow these instructions for easy assembly.

<p>1</p>  <p>Cam Lock 3 Pcs</p>	<p>2</p>  <p>Klix Cam 3 Pcs</p>	<p>3</p>  <p>Housing Cap 3 Pcs</p>	<p>4</p>  <p>Adjustable Glide 2 Pcs</p>	<p>5</p>  <p>6 Hole L-Bracket 2 Pcs</p>	<p>6</p>  <p>Screw #6 x 3/8" 60 Pcs</p>	<p>7</p>  <p>3" L-Bracket With 6 Hole 2 Pcs</p>	
<p>8</p>  <p>Flat Bracket (6 hole) 6 Pcs</p>		<p>9</p>  <p>M4 x 65 Allen-Key 1 Pc</p>		<p>A</p>  <p>Top Panel</p>		<p>B</p>  <p>Back Panel</p>	

KLIX CAM INSTRUCTIONS

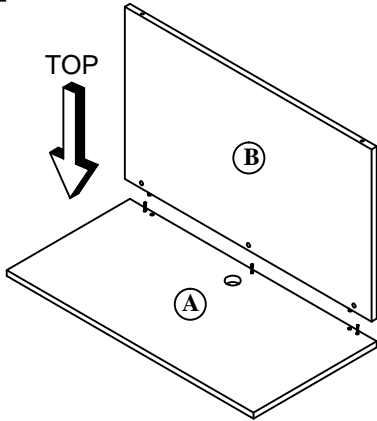
<p>1</p>  <p>Line up Cam Lock, turn clockwise.</p>	<p>2</p>  <p>Insert the cam with the arrow pointing towards the hole in the edge.</p>	<p>3</p>  <p>Insert the Cam Lock into Klix Cam. Turn Klix Cam to lock.</p>
--	--	--



IMPORTANT !

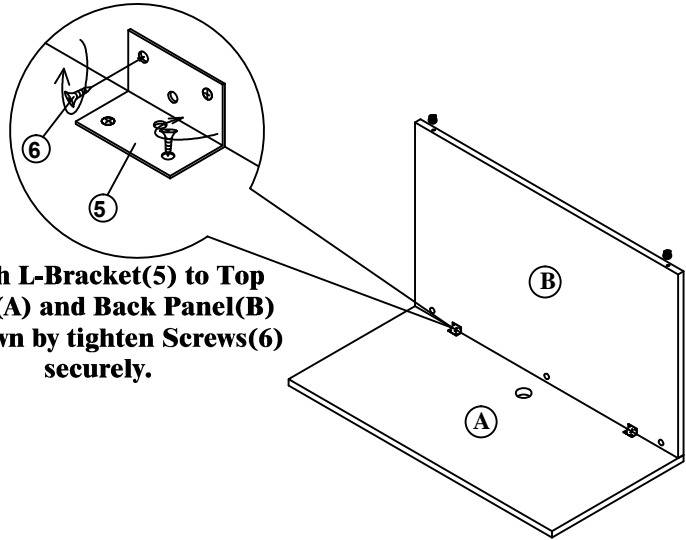
- Place all wooden parts on a clean and smooth surface such as a rug or carpet to avoid the parts from being scratched.
- Check that you have all parts and hardware.
- Remove all wrapping materials, including staples & packing straps before you start to assemble.
- Do not tighten any screws or bolts until the unit is completely assembled.
- Keep all hardware parts out of reach of children.

1



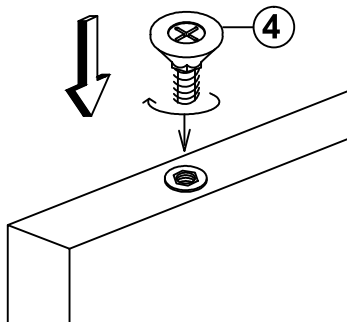
Attach Back Panel(B) to Top Panel(A) by using Cam Lock(1) and Klix Cam(2) as shown in Detail- X.

2



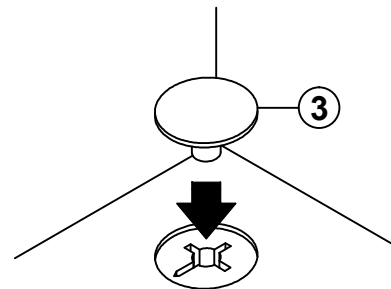
Attach L-Bracket(5) to Top Panel(A) and Back Panel(B) as shown by tighten Screws(6) securely.

3



Screw Adjustable Glide(4) into bottom of Side Panel.

4



Attach Housing Cap(3) to all Klix Cams(2) by pushing neck thought center of cam.

Additional hardware enclosed to allow you to attach this bridge to other pieces.